

ELEVATION

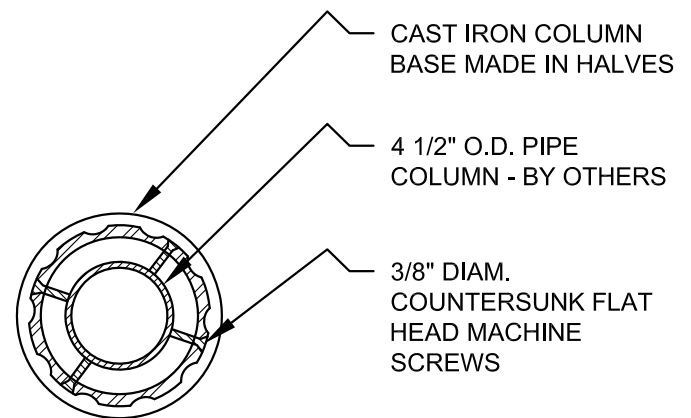
NOTES:

FOR STANDARD 4" *STRUCTURAL PIPE*\*\* (NOT INCLUDED)

STANDARD COLUMN BASE IS SHIPPED IN TWO HALVES TO BE WELDED TOGETHER BY INSTALLER.

PLEASE SPECIFY IF BOLTING DETAIL IS REQUIRED.

\*\*4" *STRUCTURAL PIPE* HAS AN OUTSIDE DIAMETER OF 4 1/2"



SECTION



**FRENCH MARKET COLUMN BASE**

